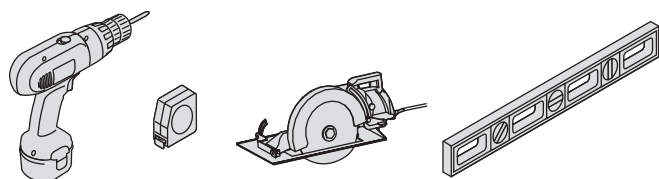


# TREX TRANSCEND® Open-Joint Cladding Installation Instructions



## TOOLS NEEDED



## NOTES:

- » Only Trex Transcend square edge profiles are approved for use in cladding applications.
- » Consult local building code officials regarding applicable requirements of cladding applications, including that of proper methods of attachment of cladding framing supports.
- » Always install wood or steel furring strips over a flat substrate or a suitable cladding substructure.
- » Ensure that proper gapping requirements are followed as listed within instructions.
- » Open-joint facades are permitted when following Trex Cladding install instructions.

## TREX-APPROVED PRODUCT FOR CLADDING APPLICATIONS:

PROFILE	DESCRIPTION	ITEM NUMBER	COLORS	
<b>Trex Transcend 1" Square-Edge Board</b> <i>Actual dimensions:</i> Transcend: .94 in x 5.5 in x 12 ft / 16 ft / 20 ft (24 mm x 140 mm x 365 cm / 487 cm / 609 cm)	1 x 6 x 12'	Transcend Tropicals	IM, TT, HG, SR, LR	
	1 x 6 x 16'	Transcend Tropicals		
	1 x 6 x 20'	Transcend Tropicals		
	1 x 6 x 12'	Transcend Earth Tones	XX010612T2S01	GP, RS, VL
	1 x 6 x 16'	Transcend Earth Tones		
	1 x 6 x 20'	Transcend Earth Tones		
	1 x 6 x 16'	Transcend Lineage	XX010616TLS48	RN, BC
	1 x 6 x 16'	Transcend Lineage	XX010620TLS48	

## Approved Fasteners:

**NOTE:** The fasteners listed below are approved fasteners for attachment of Trex Cladding to furring strips. Consult local building code official for proper fasteners to use when attaching furring strips to structural wall (take note of the screw lengths used, as its good practice to have fewer penetrations through the water resistant barrier when installing). For salt water applications, it is recommended to use wood furring strips with appropriate stainless steel screws.

If any condition occurs which is attributable to the use of non-recommended fasteners, such condition shall not be covered under the Trex Limited Warranty.

### Cladding Attachment to Wood Furring Strips:

- » Starborn® Cap-Tor® xd Epoxy Coated & Headcote® 305 Stainless 2" minimum.
- » Starborn Deckfast® Fascia System -Epoxy Coated & Headcote® 305 Stainless.
- » Starborn® Pro Plug® System for PVC and Composite (Epoxy Coated & 305 or 316 Stainless) 2" minimum.

### Cladding Attachment to Steel Furring Strips:

- » Starborn® Pro Plug® System for PVC and Composite for Metal Framing (410SS, self-drilling).
- » Starborn Deckfast® Metal 410SS with Epoxy Coating.

**NOTE:** Composite deck screws should penetrate the wood furring strips a minimum of 1".

## Gapping and Overhang:

You must gap Trex cladding both end-to-end and width-to-width. Gapping is necessary for airflow and the slight thermal expansion and contraction of Trex cladding boards.

- » **ALWAYS** follow Trex recommended gapping guidelines.
- » Maximum allowable perpendicular overhang for all Trex decking is 3/4".

### WIDTH-TO-WIDTH GAP

3/16" Min.

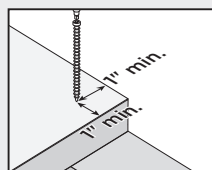
### END-TO-END/END-TO-WIDTH AND ABUTTING GAP

	End-to-End/ End-to-Width	Abutting Solid Objects
Above 40°F* (4.5°C)*	1/8"	1/4"
Below 40°F* (4.5°C)*	3/16"	1/2"

\*Temperature at installation

Pro Plug®, DeckFast®, Cap-Tor® xd and HeadCote® are registered trademarks of Starborn Industries Inc.

## FASTENING TIPS



Install fasteners at a 90° angle (perpendicular to the board).

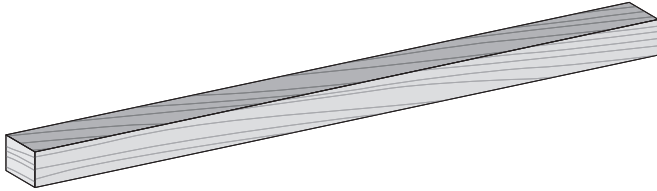
Install screws at minimum of 1" (25 mm) from the board end and edge, without splitting the board.

# TREX TRANSCEND® Open-Joint Cladding

## Installation Instructions

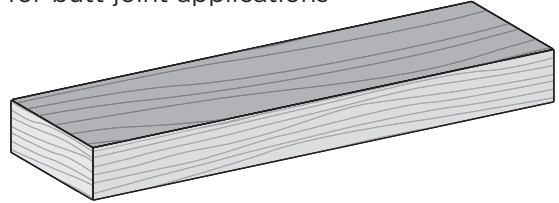
### WOOD FURRING STRIPS (Pressure-Treated Wood)

Minimum 1-1/2" x 1-1/2"



1-1/2" x 3-1/2"

Used for butt joint applications



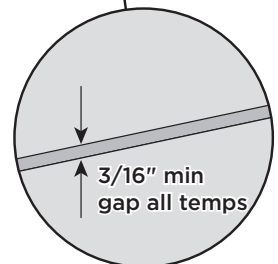
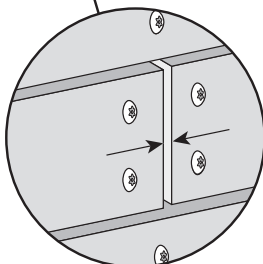
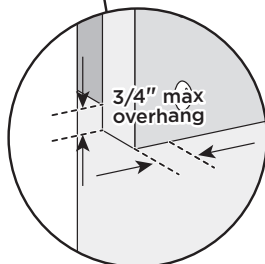
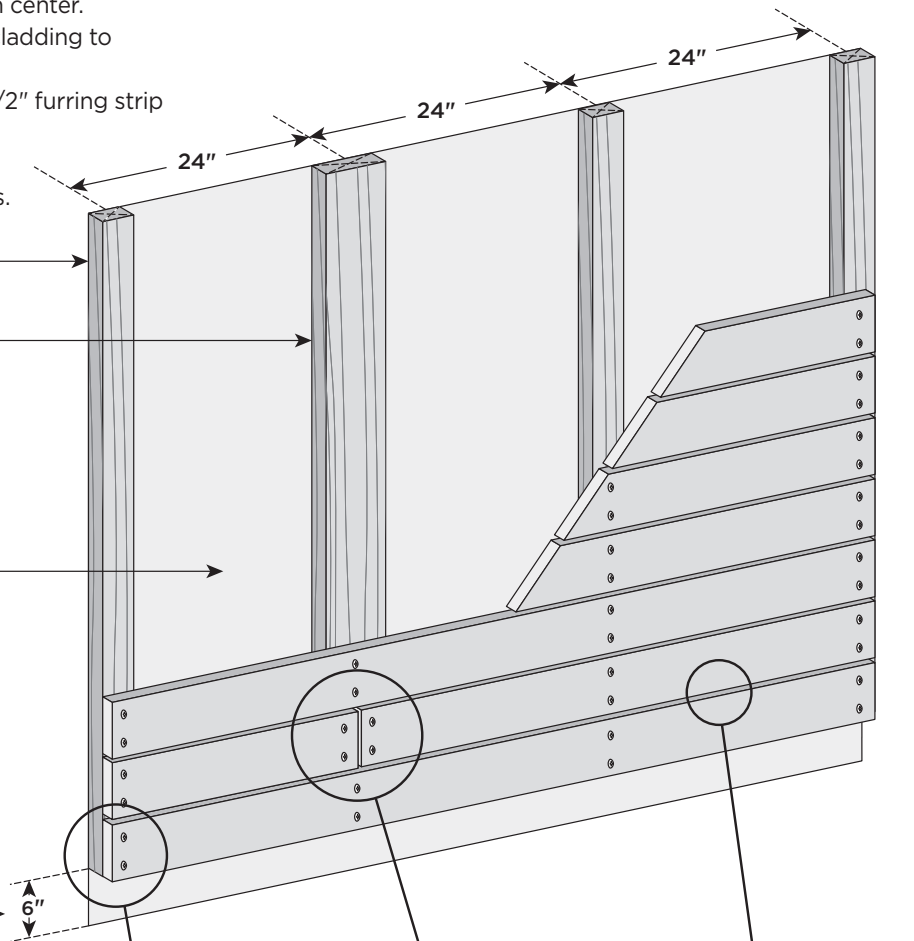
- » Install furring strips at a maximum of 24" on center.
- » Use two approved fasteners for attaching cladding to furring strips.
- » Where cladding boards abutt, a 1-1/2" x 3-1/2" furring strip must be used.
- » Always ensure cladding boards are level or plumb for horizontal or vertical applications.

1-1/2" x 1-1/2"  
furring strip

1-1/2" x 3-1/2"  
furring strip

Install code-approved  
water-resistant barrier  
as required, before  
installing furring strips

Maintain a minimum of  
6" of clearance off grade

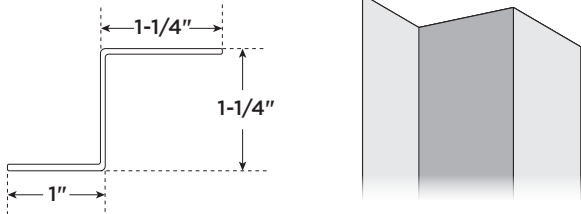


See Page 1 for  
Gapping Requirements

## METAL FURRING STRIPS (Not Sold by TREX)

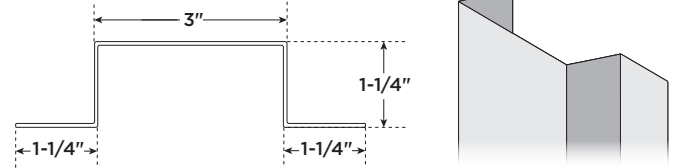
NOTE: 18 ga. (min) 33 ksi at sizes shown below.

### Z Furring Strip

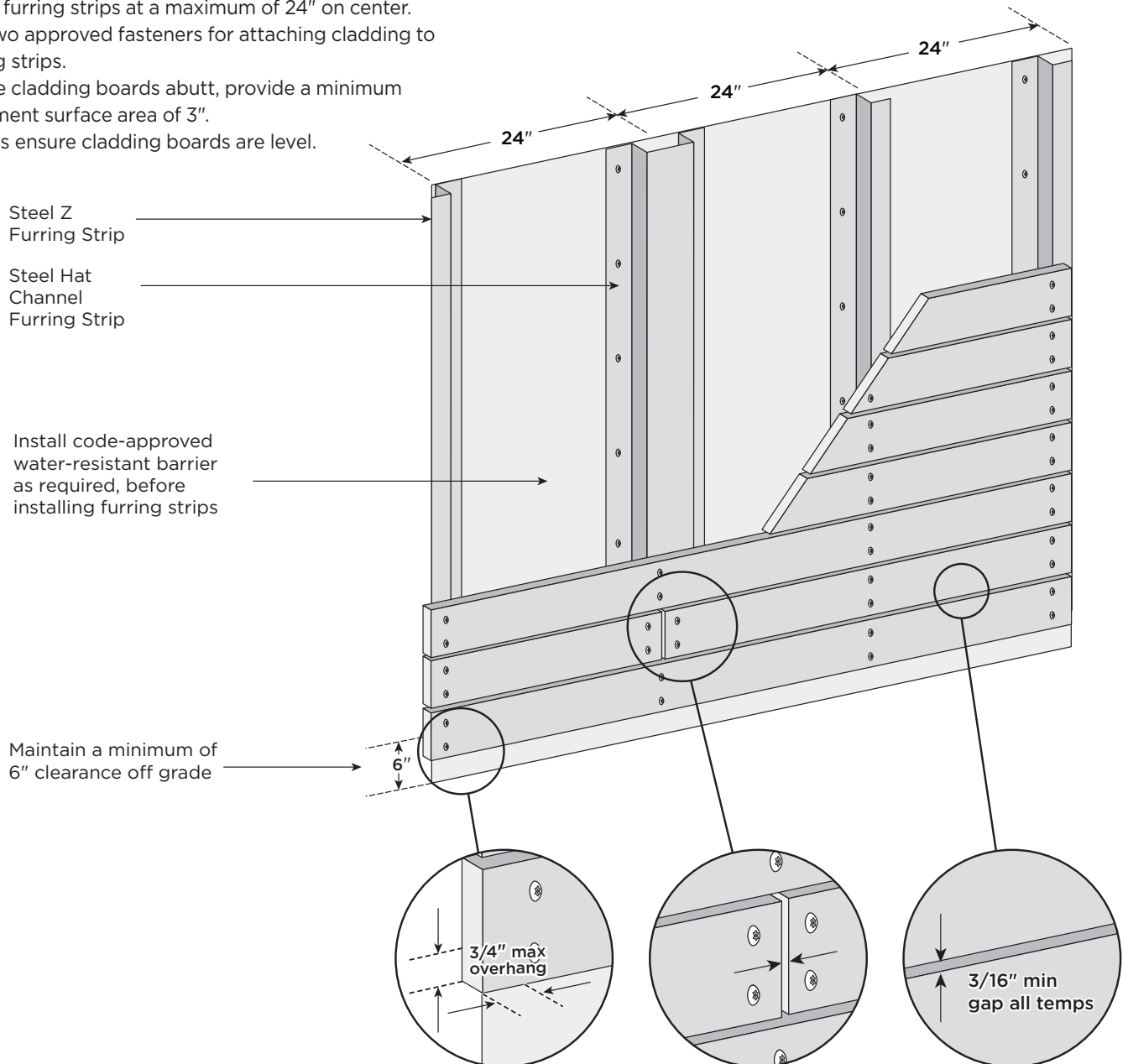


### Hat Channel Furring Strip

Used for butt joist applications



- » Install furring strips at a maximum of 24" on center.
- » Use two approved fasteners for attaching cladding to furring strips.
- » Where cladding boards abutt, provide a minimum attachment surface area of 3".
- » Always ensure cladding boards are level.



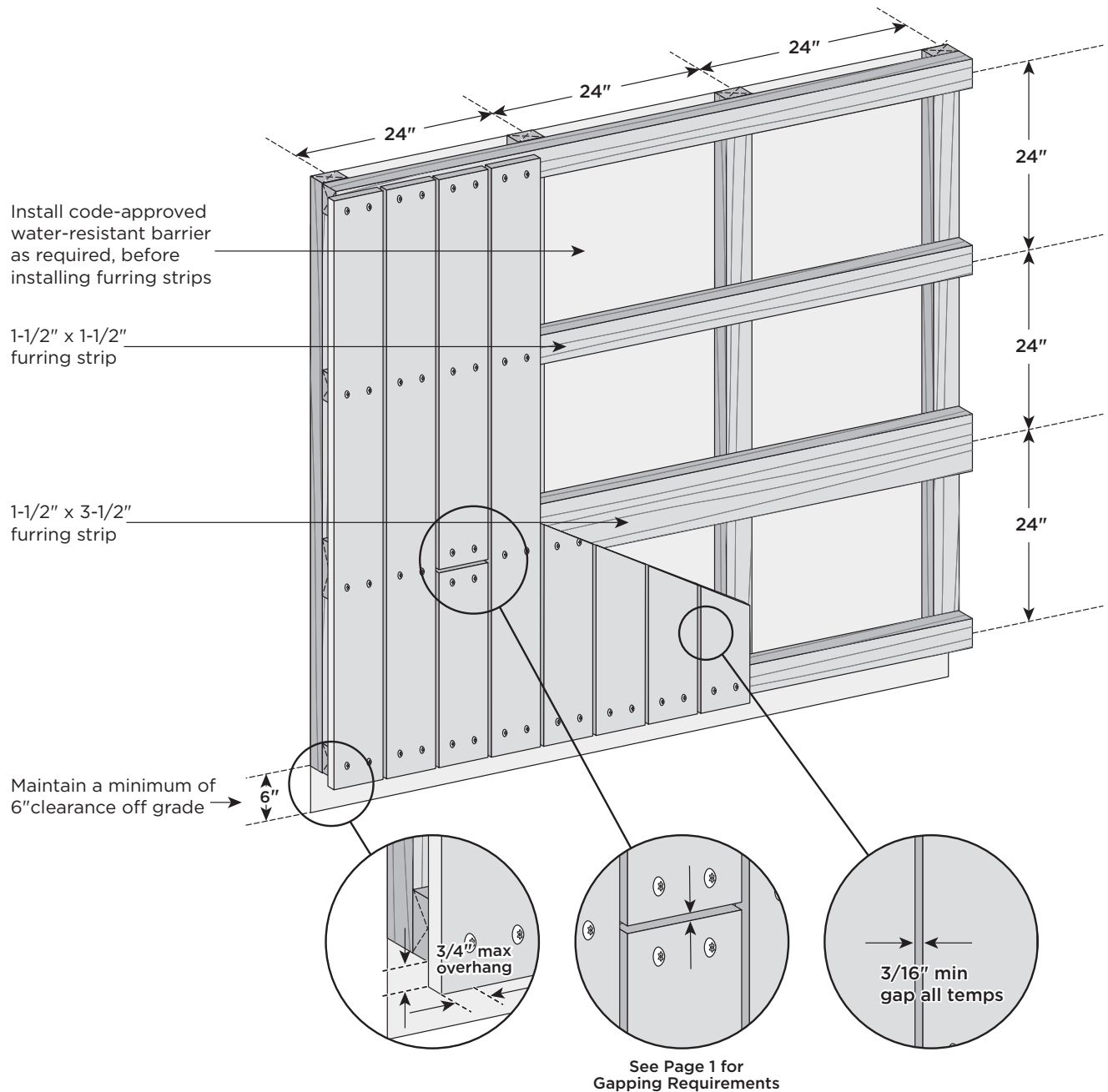
See Page 1 for Gapping Requirements

# TREX TRANSCEND® Open-Joint Cladding

## Installation Instructions

### VERTICAL ORIENTATION OF CLADDING

(Wood furring strips represented below.)



- » Install furring strips at a maximum of 24" on center.
- » Use two approved fasteners for attaching cladding to furring strips.
- » Where cladding boards abutt, a 1-1/2" x 3-1/2" furring strip must be used.
- » Always ensure cladding boards are plumb.