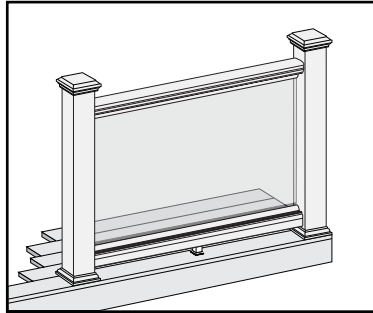


GLASS PANEL ASSEMBLY

Dimensions for the tempered glass:

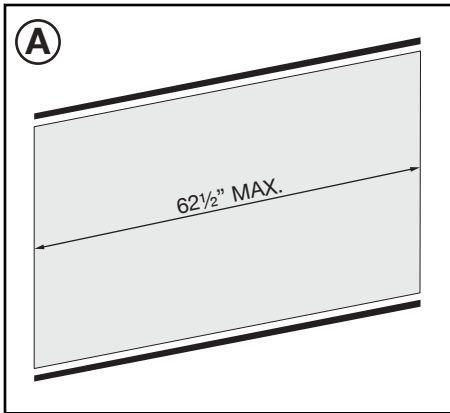
- for a 36" high rail:
1/4" x 30" x 62 1/2" (max.)
- for a 42" high rail:
1/4" x 36" x 62 1/2" (max.)



★ 1/4" Tempered Glass Panel will need to be purchased separately.

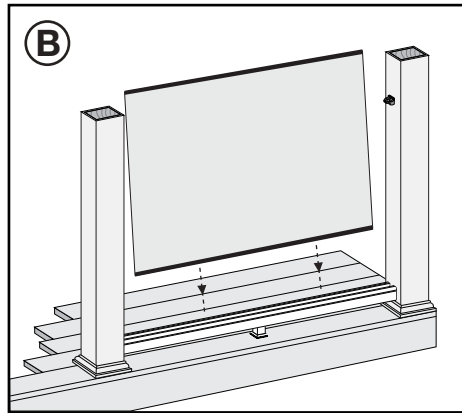
★ Only for use with maximum 6' on center post spacing.

5 Attaching the Glass Panel & Top Rail



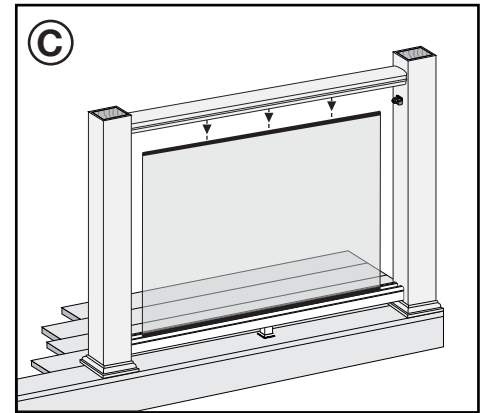
A. Apply Weather Stripping to Glass

Push the black edge trim onto the upper & lower edges of the glass. Be sure the edge trim runs the entire length of the glass. Extra trim can be cut off with a razor blade or sharp scissors.



B. Position Glass

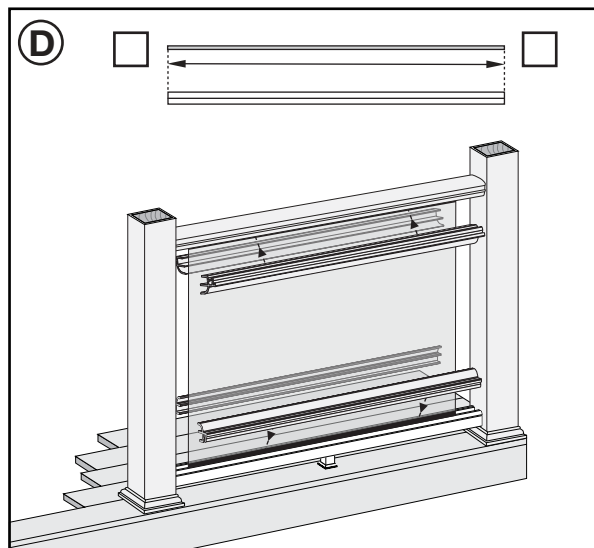
Place the glass with the weatherstripping into the lower rail channel. Center the panel between the two posts. (There should be approximately 2" between the panel and the posts.)



C. Attach Top Rail

Place the top rail over the brackets and glass panel. Secure the rail to the RSBs with 1 1/2" self-drilling screws, provided.

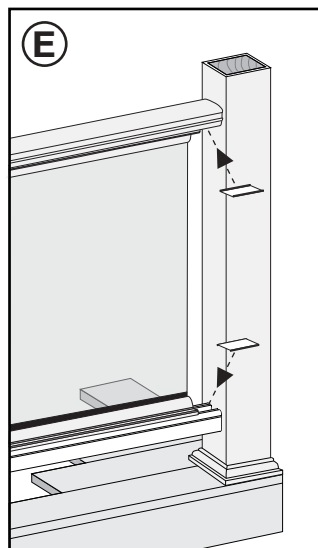
Avoid hitting glass while using drill.



D. Cut & Attach Panel Support Moldings

Cut the four (4) panel support moldings (PSM) to the same length of the glass (62 1/2"). Cut one at a time slowly to avoid chipping.

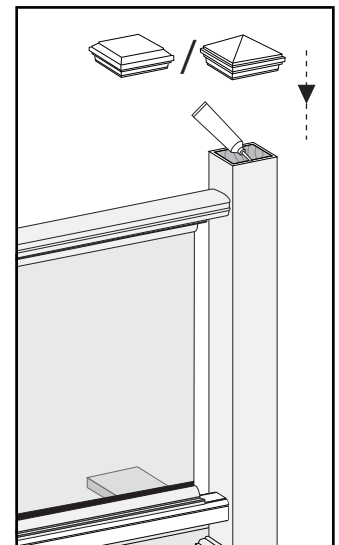
Push the PSM into the rails to complete snap connection. (The lower rail will have the PSM edge resting on top of rail, top rail PSM snaps flush into the rail.)



E. Hide the Brackets

Cut the Artisan Baluster Spacer into four lengths equal to the distance between the glass panel and the posts. (2") Cut these slowly and one at a time to avoid chipping. Once these are all cut, snap them into the bottom and top rails to hide the brackets and create a seamless look.

6 Attaching the Post Caps



Secure Post Cap with silicone or PVC adhesive.

(Remove any excess adhesive.)

Have Questions?

1-800-BUY-TREX

Note: Construction methods are always improving. Please ensure you have the most up-to-date installation instructions by visiting:

trex.com