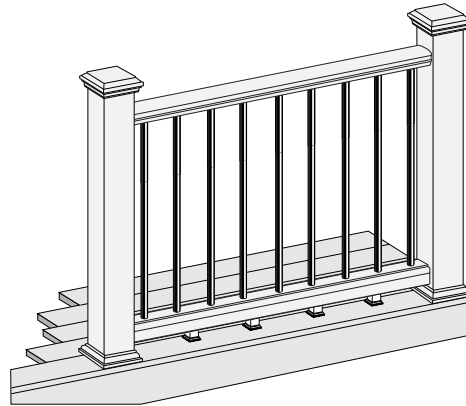


*Note: Read all the instructions BEFORE installation.*

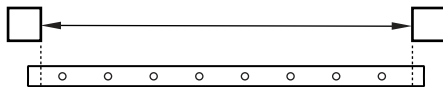
## Level Section Instructions

For 36" rail height, use Trex 30" Contemporary Balusters - Part number BK3Q30RBK

For 42" rail height, use Trex 36" Contemporary Balusters - Part number BK3Q36RBK



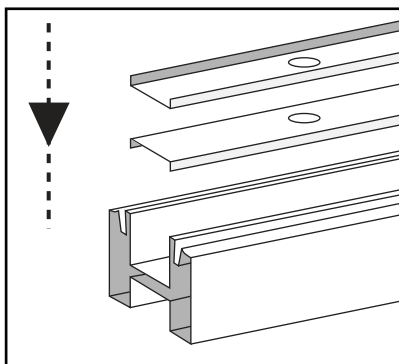
### 1 Cut Baluster Spacers



Cut the Baluster Spacers to the same length as the rail, equally spaced so the holes line up.

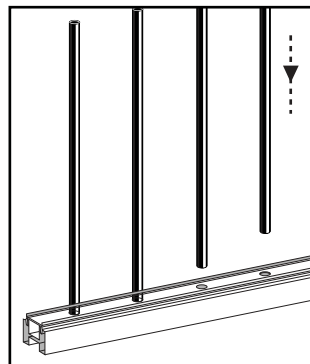
Use Round Hole Baluster Spacer - Level, Part number **XXBALSPACER**  
*Note: Replace "XX" in part number with color code: WT - Classic White or BK - Charcoal Black*

### 2 Install Spacers



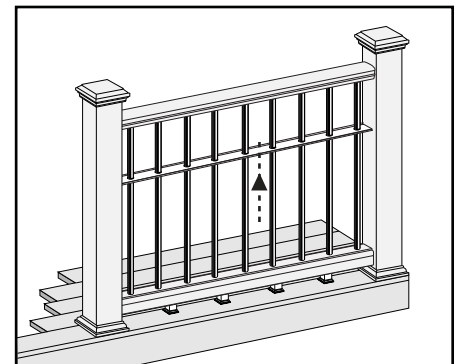
Snap Baluster Spacer into Bottom Rail.  
Place inverted Baluster Spacer on top of first Baluster Spacer.

### 3 Insert Balusters



Place Balusters in Baluster Spacer holes.

### 4 Install Top Rail



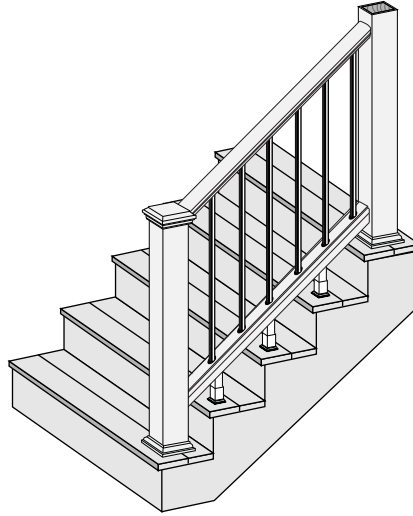
Install Top Rail & slide Top Baluster Spacer up, snapping it into place.

*Note: Read all the instructions BEFORE installation.*

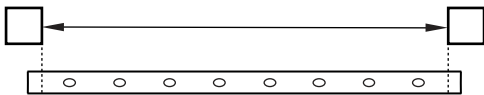
## Stair Section Instructions

For 36" rail height, use Trex 30" Contemporary Balusters - Part number BK3Q30RBK

For 42" rail height, use Trex 36" Contemporary Balusters - Part number BK3Q36RBK



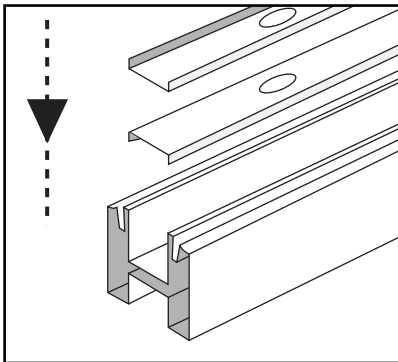
### 1 Cut Baluster Spacers



Cut the Baluster Spacers to the same length as the rail, equally spaced so the holes line up.

Use Round Hole Baluster Spacer - Stair, Part number **XXBALSPACESTR**  
*Note: Replace "XX" in part number with color code: WT - Classic White or BK - Charcoal Black*

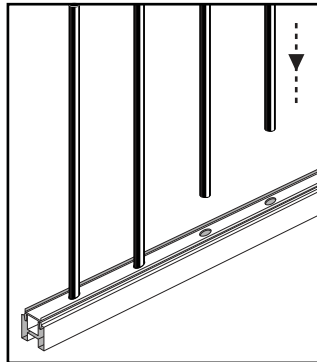
### 2 Install Spacers



Snap Baluster Spacer into Bottom Rail.

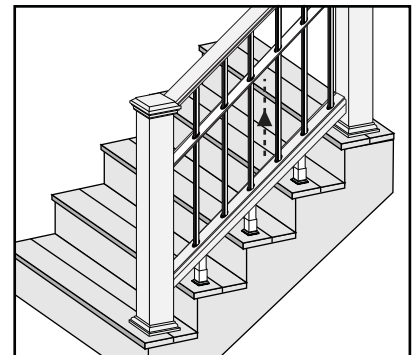
Place inverted Baluster Spacer on top of first Baluster Spacer.

### 3 Insert Balusters



Place Balusters in Baluster Spacer holes.

### 3 Install Top Rail



Install Top Rail & slide Top Baluster Spacer up, snapping it into place.