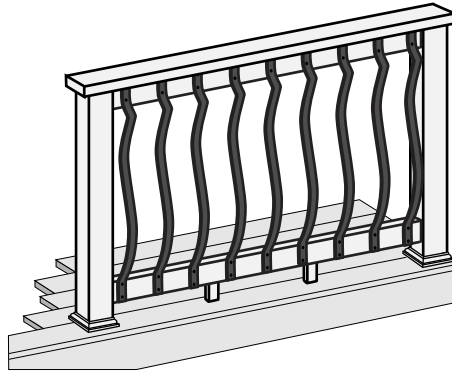


Note: Read all the instructions BEFORE installation.

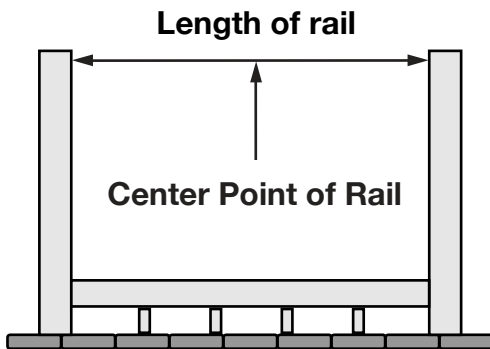
Level Section Instructions

For 36" rail height, use Trex 32" Architectural Balusters - Part number BK0132VBK

For 42" rail height, use Trex 40" Architectural Balusters - Part number BK0140VBK



1 Measure Baluster Spacing

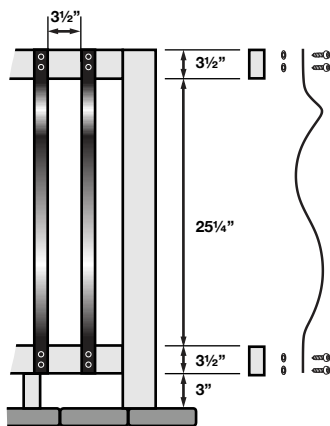


$$\text{Length of rail } __\text{"} \div 4.5 = __\text{ balusters}$$

If number is odd: balusters will be centered

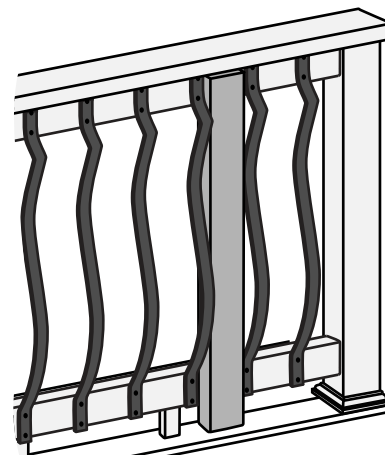
If number is even: balusters will be offset 2 1/4" from center

2 Measure Railing Height



Use the measurements above to achieve a 36" rail height. *Note: add 6" to distance between rails (31 1/4") to achieve a 42" rail height.*

Hint



Hint: a 2x4 can be used for spacing the Architectural balusters.

Have Questions?

1-800-BUY-TREX

Note: Construction methods are always improving. Please ensure you have the most up-to-date installation instructions by visiting:

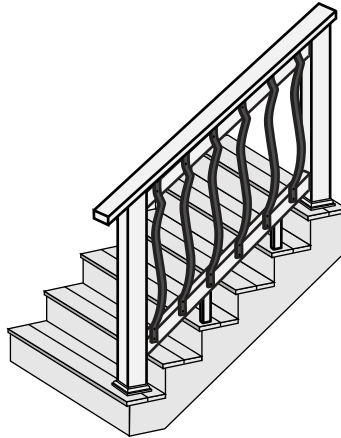
trex.com

Note: Read all the instructions BEFORE installation.

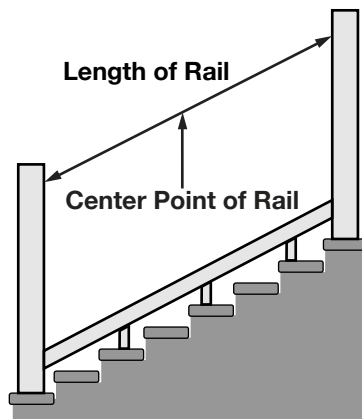
Stair Section Instructions

For 36" rail height, use Trex 32" Architectural Balusters - Part number BK0132VBK

For 42" rail height, use Trex 40" Architectural Balusters - Part number BK0140VBK



1 Measure Baluster Spacing

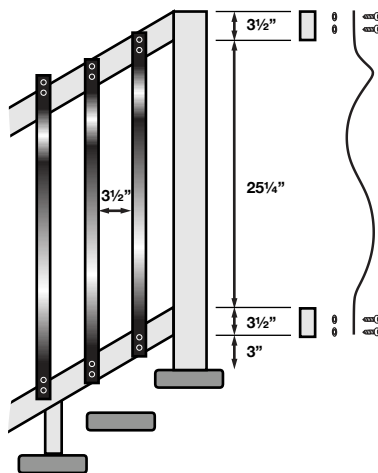


$$\text{Length of rail } __\text{"} \div 5.5 = __\text{ balusters}$$

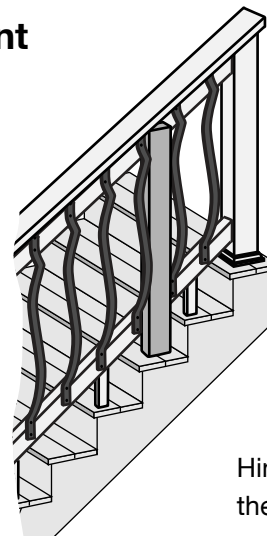
If number is odd: balusters will be centered

If number is even: balusters will be offset $2\frac{3}{4}$ " from center

2 Attach Balusters



Hint



Hint: a 2x4 can be used for spacing the Architectural balusters.

Have Questions?

1-800-BUY-TREX

Note: Construction methods are always improving. Please ensure you have the most up-to-date installation instructions by visiting:

trex.com