

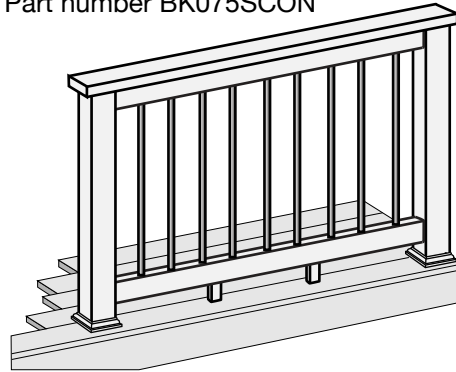
*Note: Read all the instructions BEFORE installation.*

## Level Section Instructions

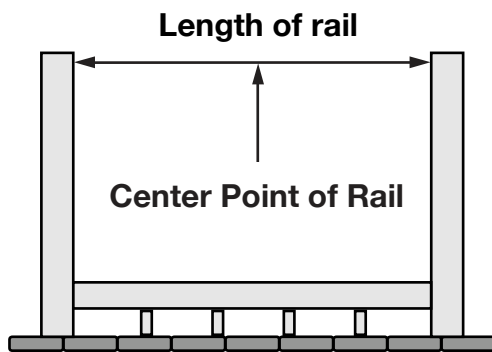
For 36" rail height, use Trex 26" Contemporary Balusters - Part number BK3Q26RBK

For 42" rail height, use Trex 32" Contemporary Balusters - Part number BK3Q32RBK

Black 3/4" Stair Baluster Connectors - Part number BK075SCON



### 1 Measure Baluster Spacing

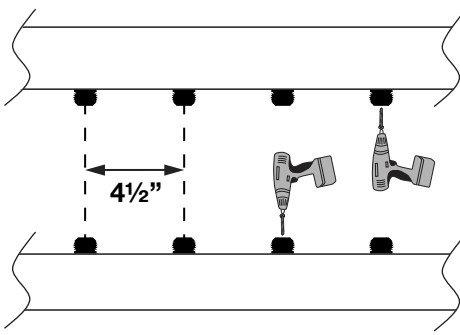


$$\text{Length of rail } \_ \text{ " } \div 4.5 = \_ \text{ balusters}$$

If number is odd: balusters will be centered

If number is even: balusters will be offset 2 1/4" from center

### 2 Measure Railing Height

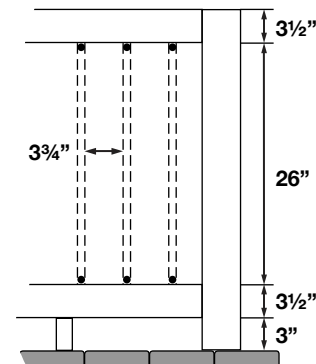


Attach Baluster Connectors as shown above.  
4 1/2" on center.

*Note: Purchase Level Baluster Connectors separately.*

Black 3/4" Horizontal Baluster Connectors:  
Part number BK075HCON

### 3 Install Balusters



Use the measurements above to achieve a 36" railing height. *Note: add 6" to distance between rails (31") to achieve a 42" railing height.*

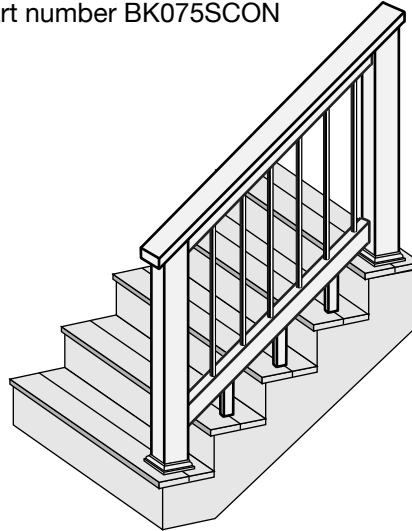
*Note: Read all the instructions BEFORE installation.*

## Stair Section Instructions

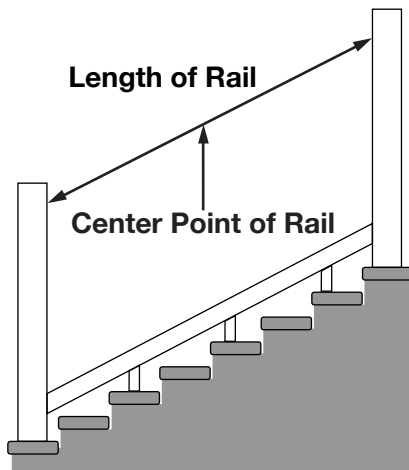
For 36" rail height, use Trex 26" Contemporary Balusters - Part number BK3Q26RBK

For 42" rail height, use Trex 32" Contemporary Balusters - Part number BK3Q32RBK

Black 3/4" Stair Baluster Connectors - Part number BK075SCON



### 1 Measure Baluster Spacing

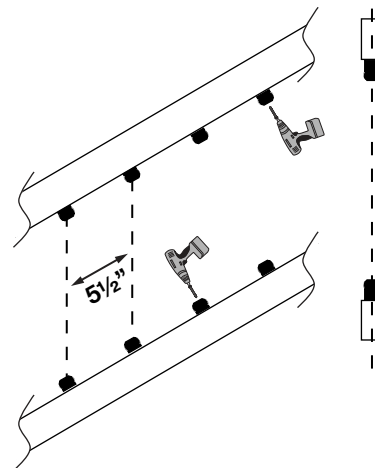


$$\text{Length of rail } \_\_\text{"} \div 5.5 = \_\_\text{ balusters}$$

If number is odd:  
balusters will be centered

If number is even:  
balusters will be offset 2 3/4" from center

### 2 Attach Connectors



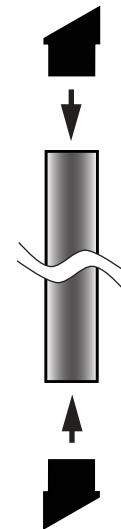
Install Baluster Connectors on top & bottom rail as shown.

5 1/2" on center.

*Note: Purchase Stair Baluster Connectors separately.*

*Black 3/4" Stair Baluster Connector:  
Part number BK075SCON*

### 3 Install Balusters



Attach Baluster Adapters in each end of balusters.